

*Chain Link Fencing with Links larger than 38mm (1 1/2") shall extend a minimum of 1.8m (6'-0") above grade

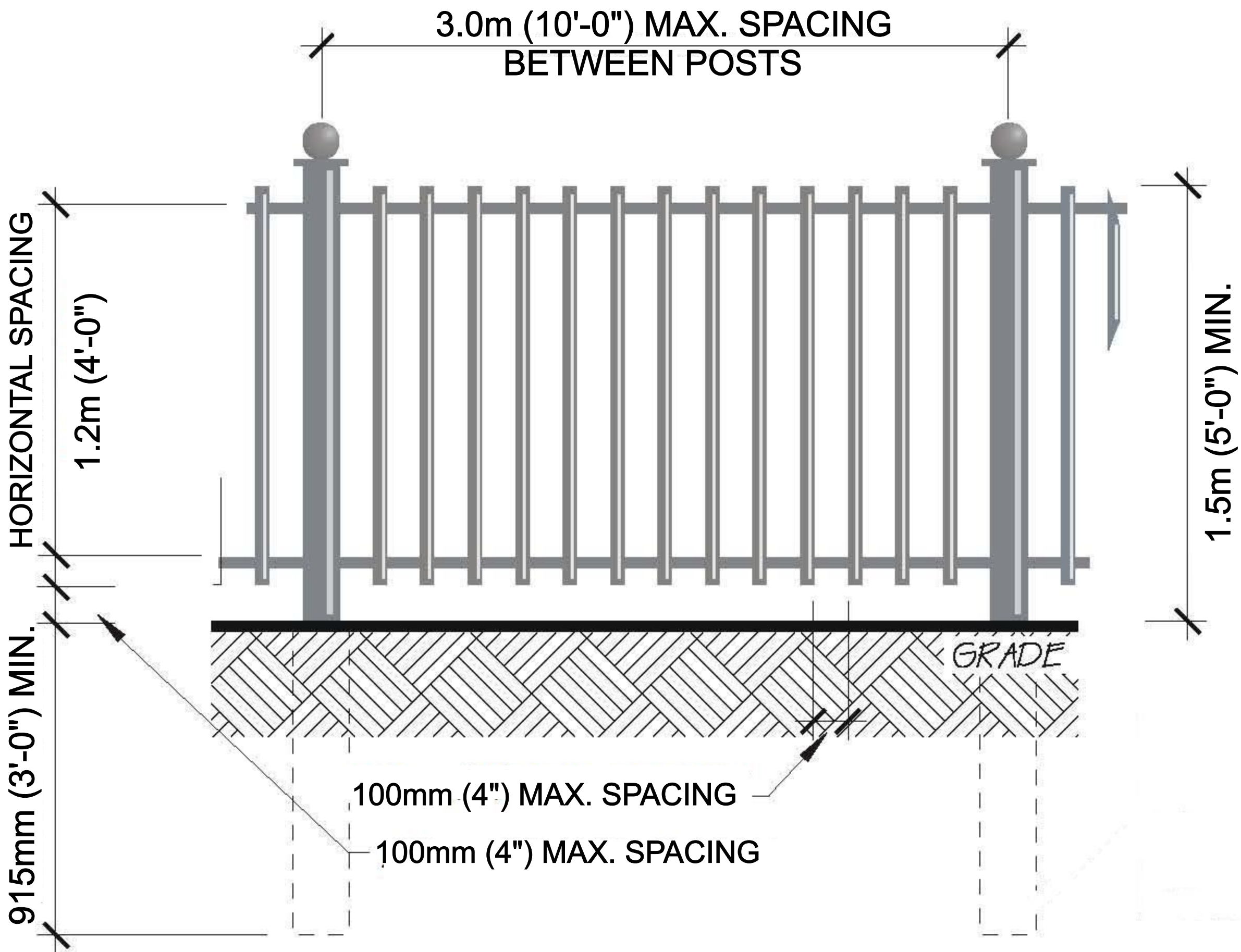
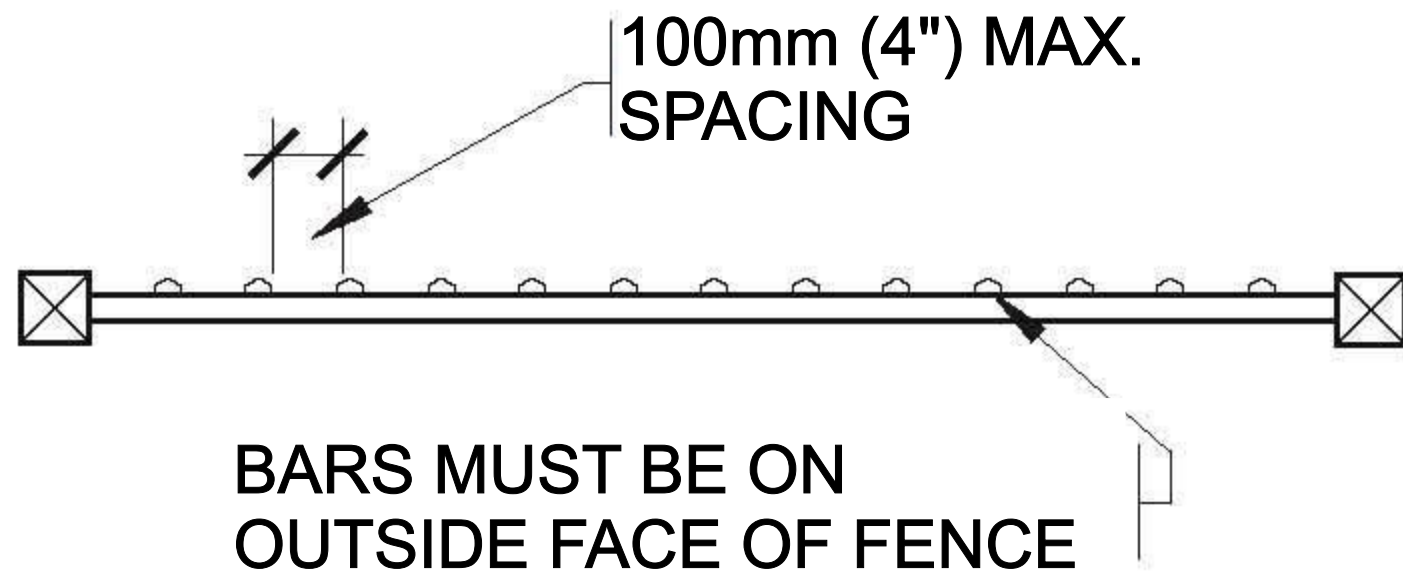
POOL ENCLOSURES

CHAIN LINK FENCING

DIAGRAM

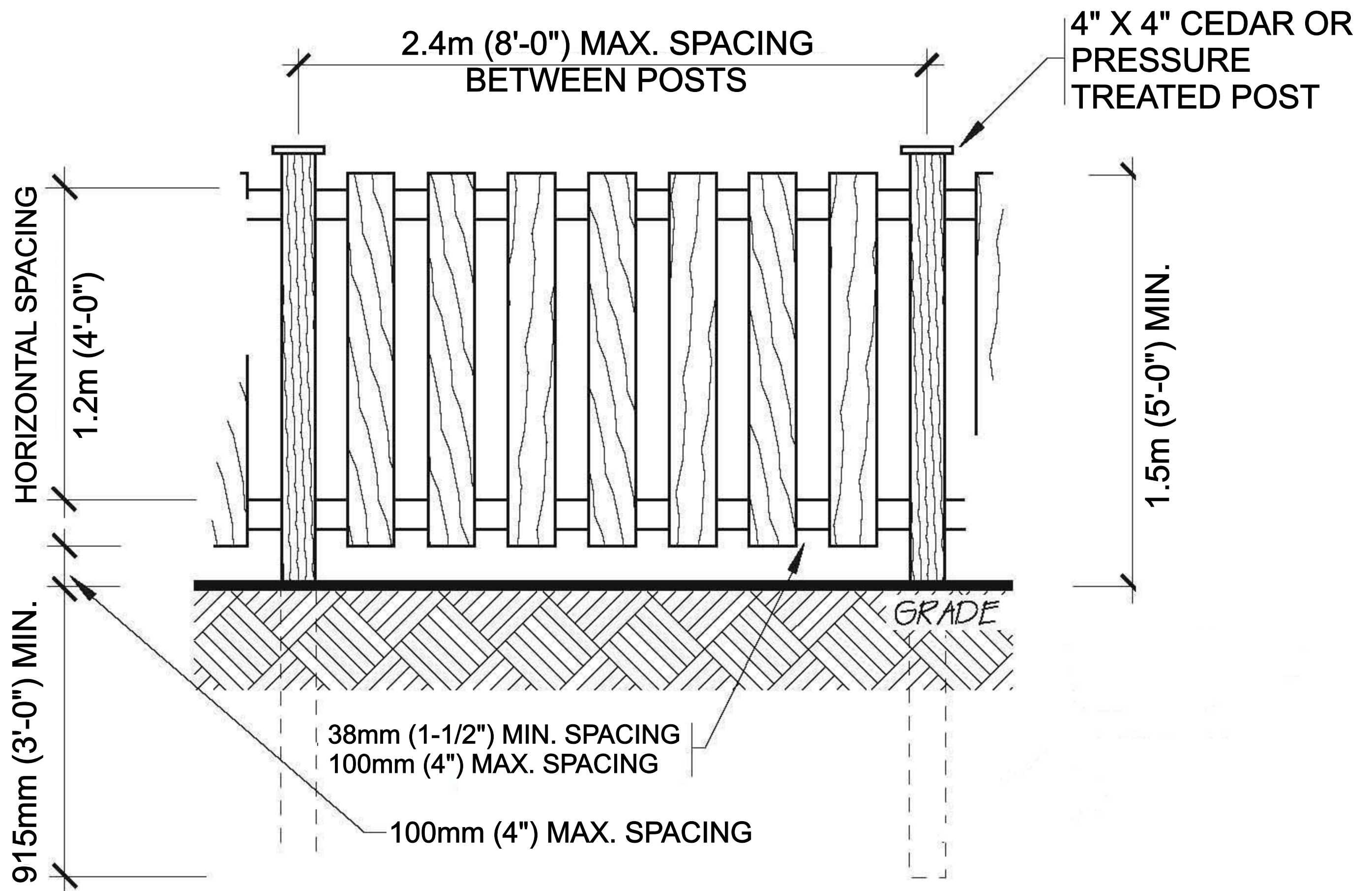
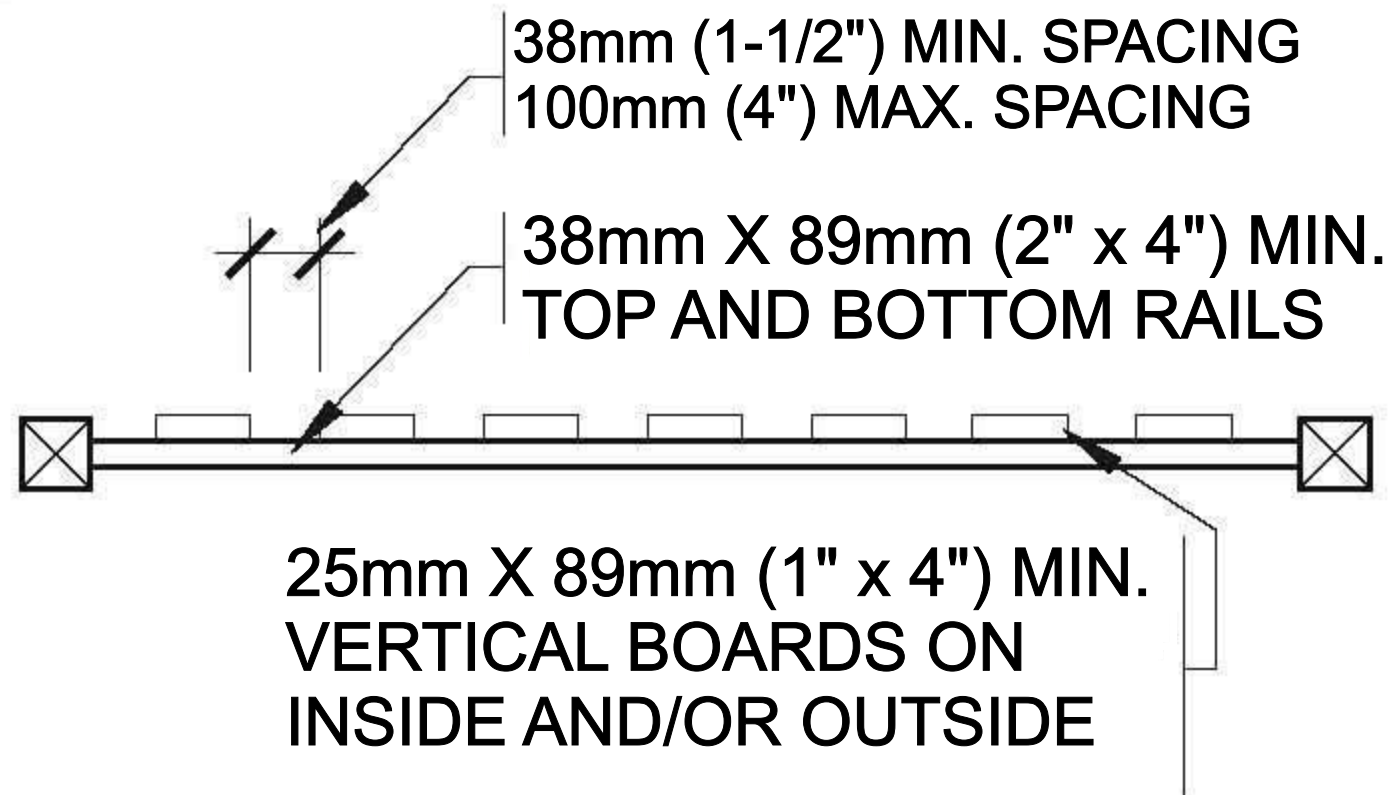
A

TOP VIEW



POOL ENCLOSURES	DIAGRAM B
ORNAMENTAL IRON FENCING	

TOP VIEW



POOL ENCLOSURES

VERTICAL BOARD FENCING

DIAGRAM

C